

102 North Point Parkway
Building 106
Acworth, GA. 30102
(800) 727-4482

Florida Product Approval #23225.7 (0.032) Aluminum Reveal Panel NON-HVHZ

Compliant with CURRENT Florida Building Code
Compliant with Florida Product Approval Rule # 61G20-3
Quality Assurance Compliant Product: 0.032 Aluminum REVEAL Panel w/ 24 GA SS clips

Anchor: Attached to Min. 16GA metal Purlin framing that was wrapped a double pine wood buck. No shim space was utilized. The metal Purlin perimeter track was secured to the test buck using #8 x 1 1/4 FH screws spaced 12" on center for specimen #1. Specimen #2 was secured using same screws spaced at 12" on center at the head and the sill and 16" on center at the jamba. The intermediate Purlins were secured to the top and bottom track using a single #8 x 1/2" self-drilling PH screw through each track flange.- Corrosion Resistant Compliant: FBC Sec. 1507

Analysis by a Florida licensed professional, with consideration of local conditions, wind zones, and structural substrate support should determine the proper fastener attachment.

Span spacing: 12", 18", 24", 30", 36", 42", 48", see load table attached from Intertek Testing Laboratory test report.

Panel and Material	Reveal Panel	Support Spc./Load(psf)	Support Spc./Load(psf)
X 0.032 Aluminum Panel w/ 24GA SS clips		1' / -110 psf	1' / -133psf
		4' / -28 psf	4' / -33psf
		Allowable Uplift Loads Margin of Safety 2:1	Allowable Uplift Loads Margin of Safety 1.65:1

TEST REFERENCES:

Intertek Test No. 1509L04 450-44 R0 ASTM E30-14

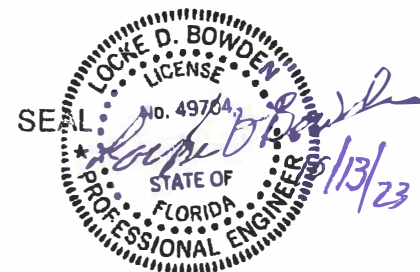
Limitations:

1. Products herein this report are compliant with current Florida Building Code (FBC)2023 8TH ed.
2. Install in compliance with Florida Building Code 2023 8th ed., and Install per with Manufacturer's installation reference.
3. Products are compliant for State of Florida product approval per Rule 61G20-3. Compliance Method: 1-D
4. Engineering analysis for "project specific project approval" to determine appropriate wind safety factors, is allowed by other Florida licensed professionals.
5. Fire classification is not part of this acceptance. Shear diaphragm values are outside this report.
6. Support framing in compliance w/FBC 2023 8th ed., Chapter 22 for Steel, Chapter 23 for Wood and Chapter 16 for Structural Loading.
7. This report does not imply warranty, installation, recommended product use outside of this report.

Certificate of Independence:

Locke Bowden, P.E. does not have, nor will acquire a financial interest in any company manufacturing or distributing products under this evaluation.

Locke Bowden, P.E. is not owned, operated, or controlled by any Company manufacturing or distributing products under this report.



102 NORTHPOINT PARKWAY
BUILDING 106
ACWORTH, GA. 30102
(800) 272-4482

Total Quality Assured.

TEST REPORT FOR PETERSEN ALUMINUM CORPORATION

Report No.: IS091.04-450-44-R0

Date: 10/13/20

LOAD TABLE

Load Table: 0.032" aluminum Reveal Panel

Span, L	Span, L	Test Result	Allowable Design Pressure with Safety Factor of 1.65	Allowable Design Pressure with Safety Factor of 2.00
1'-0"	12"	220 psf	133 psf	110 psf
1'-6"	18"		117 psf	96 psf
2'-0"	24"		100 psf	82 psf
2'-6"	30"		83 psf	69 psf
3'-0"	36"		67 psf	55 psf
3'-6"	42"		50 psf	41 psf
4'-0"	48"	55 psf	33 psf	28 psf

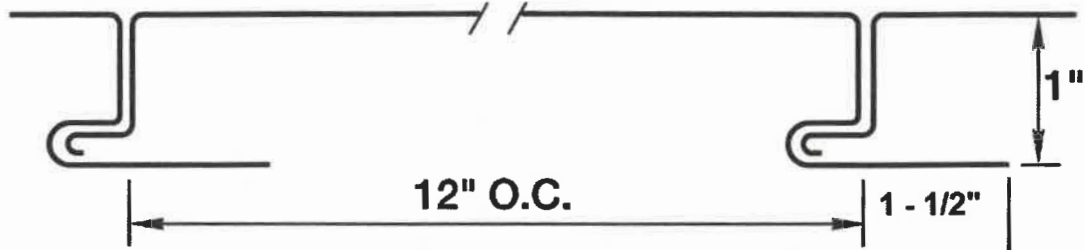
General Notes:

Tested in general accordance with ASTM E 330-14, Procedure B, as negative loads (away from surface).

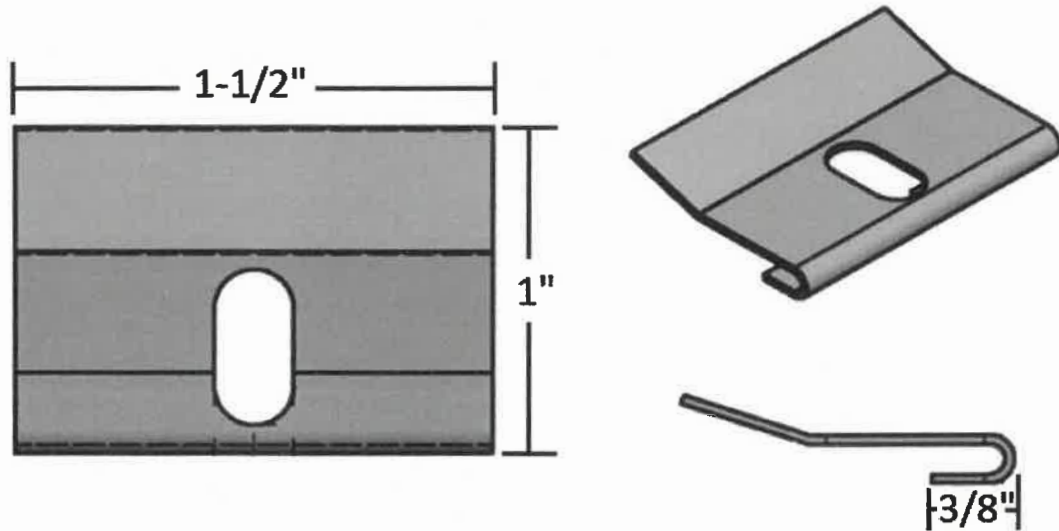
Intermediate values based on linear interpolation from tested values.

Actual testing was conducted at 1'-0" and 4'-0" purlin spans with concealed clips located at each purlin.

Installation Details - 0.032" Aluminum Reveal Panel



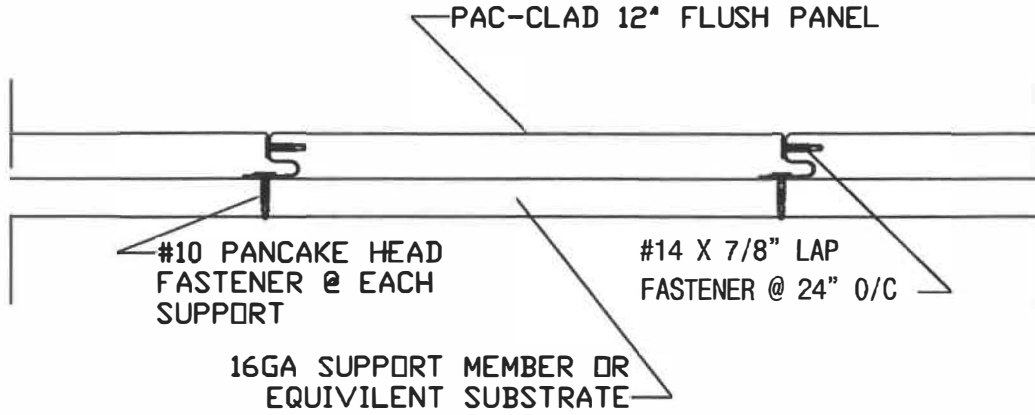
Reveal Wall Panel Profile*



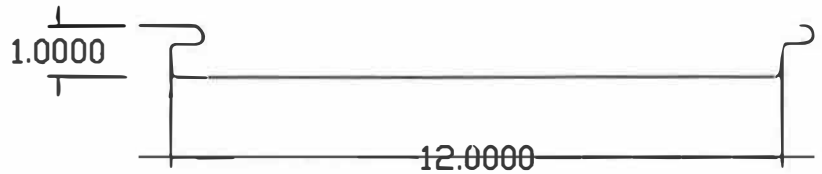
24GA Stainless Steel Clip Detail*

*Details provided by Intertek Building & Construction.
Details shown are for product as tested per Test Report No. I5091.03-450-44-R0.

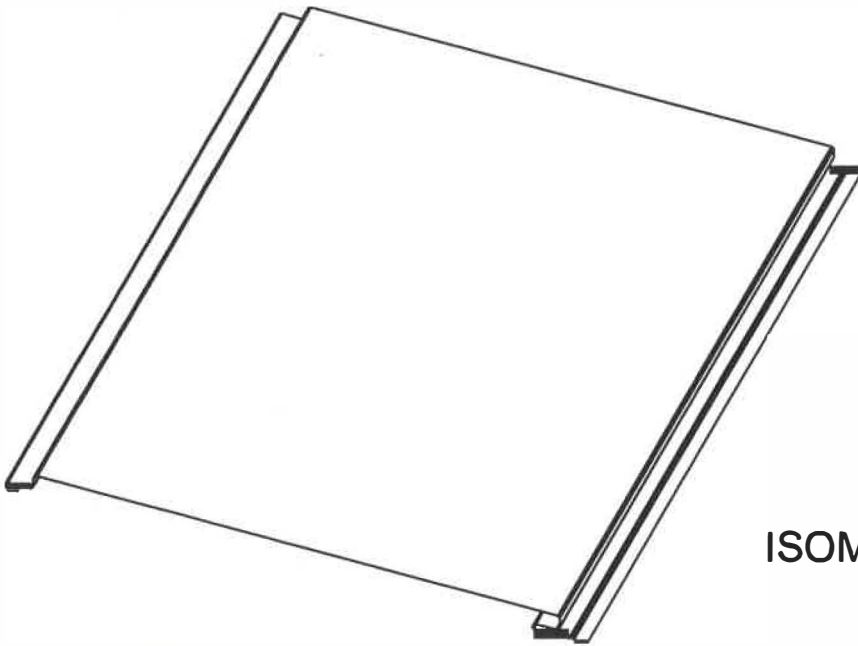
PAC-CLAD REVEAL PANEL r.05/14



ATTACHMENT DETAIL



DIMENSIONS



ISOMETRIC VIEW

*optional pencil ribs available